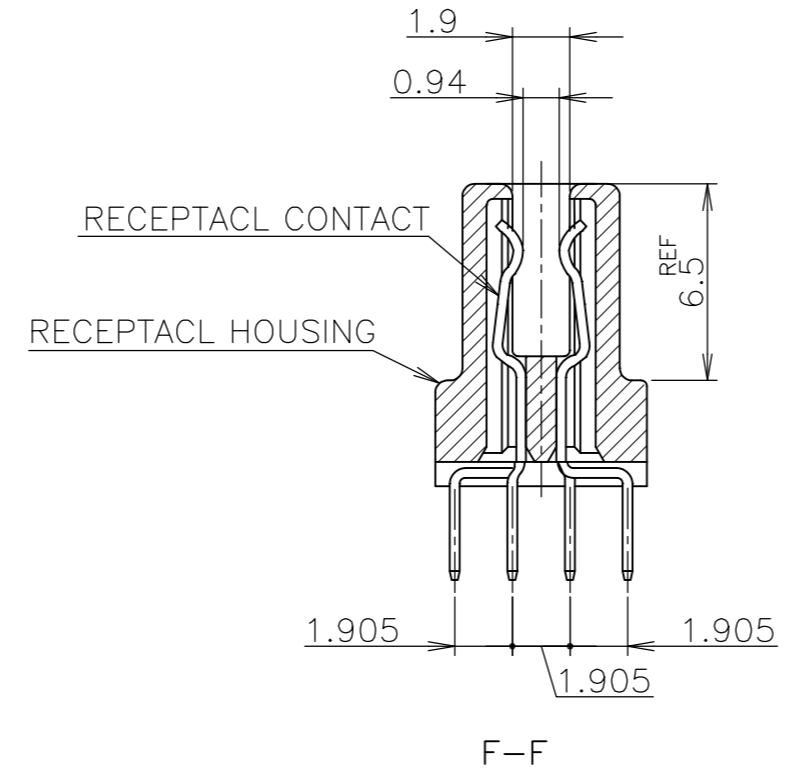
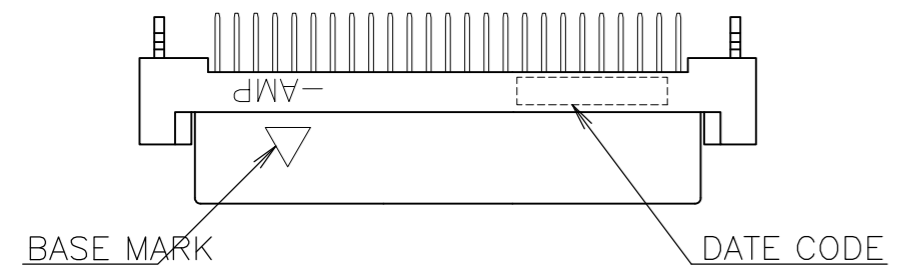
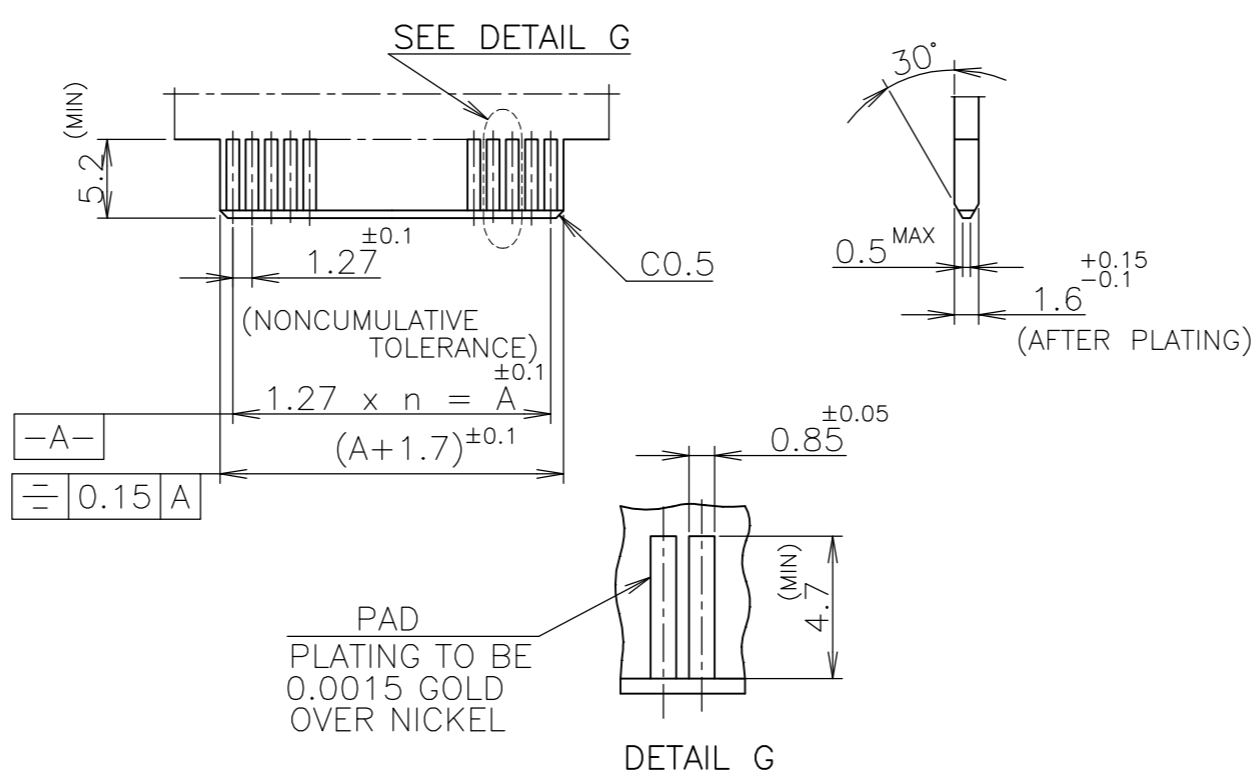
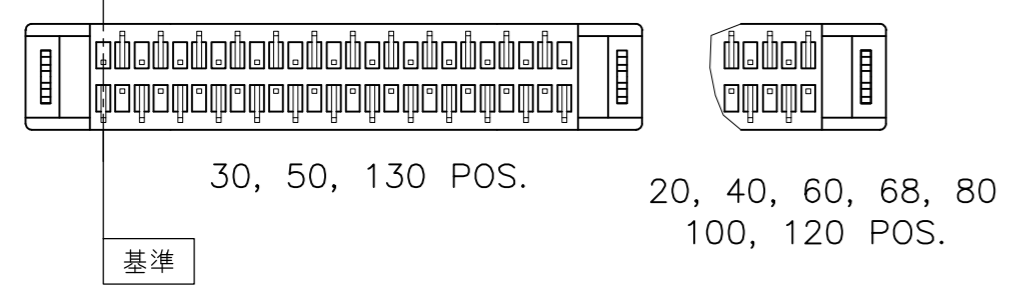
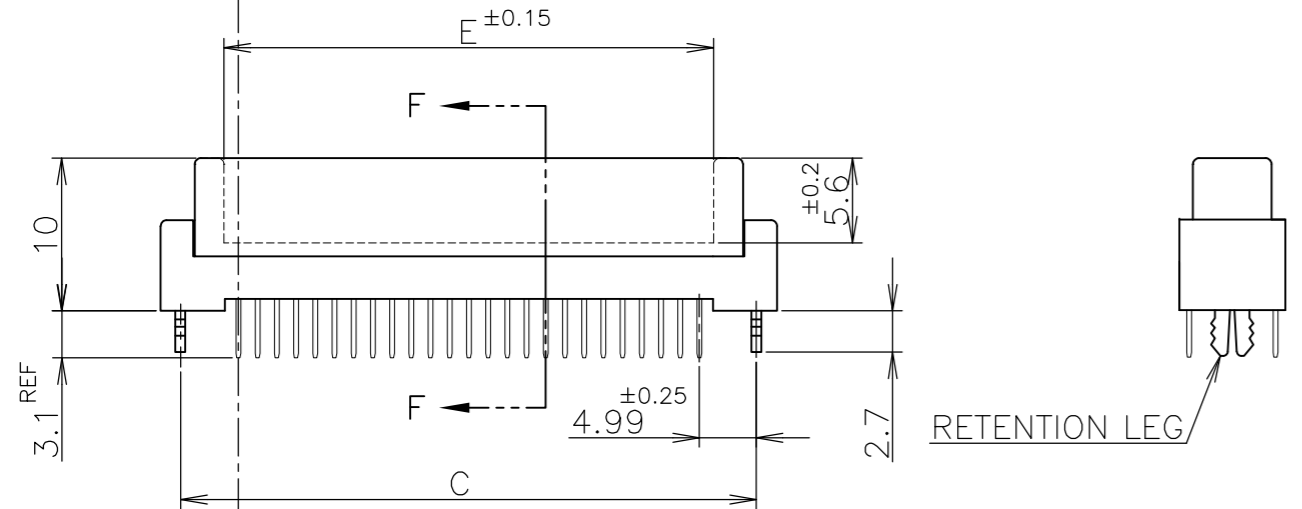
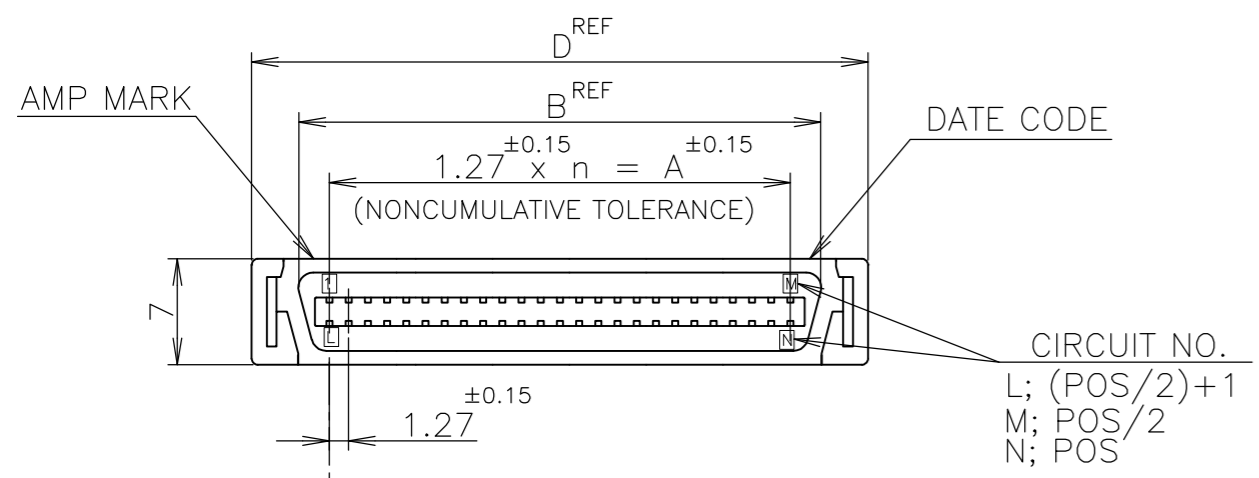


LOC		DIST		REVISIONS				
P	LTR	DESCRIPTION			DATE	DWN	APVD	
ES	00	A	REVISED ECR-08-014638			10JUN08	AZ	SY

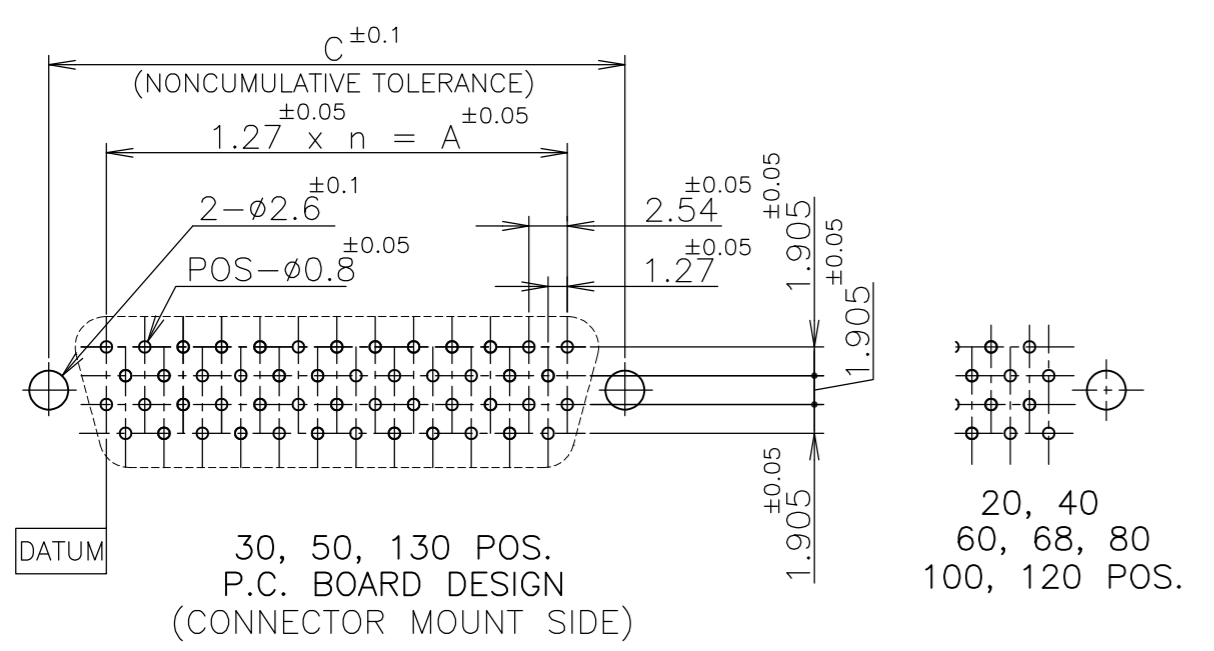


- 1 NUMBER "n" IS COUNTED FROM DATUM (CIRCUIT NO.1 IS "AMP" MARK SIDE.)
- △ MATERIAL: HOUSING, 66 NYLON (GF) UL 94V-0, BLACK.
: CONTACT, PHOSPHOR BRONZE.
: RETENTION LEG; BRASS.
- △ FINISH: CONTACT; Au AT CONTACT AREA (SEE TABLE),
TIN AT TINE, OVER Ni.
RETENTION LEG; TIN UNDER Ni.
- △ P.C. BOARD THK MUST BE 1.6 ±0.15 FOR CARD EDGE CONNECTOR



RECOMMENDED P.C. BOARD DIMENSIONS.

6-	5-	4-	3-	2-	1-	0	POS.	n	A	B	C	D	E
6-	-2						130	64	81.28	86.82	91.25	93.90	83.18
6-	-1						120	59	74.93	80.47	84.90	87.55	76.83
6-	-0						100	49	62.23	67.77	72.20	74.85	64.13
5-	-9						80	39	49.53	55.07	59.50	62.15	51.43
5-	-8						68	33	41.91	47.45	51.88	54.53	43.81
5-	-7						60	29	36.83	42.37	46.80	49.45	38.73
5-	-6						50	24	30.48	36.02	40.45	43.10	32.38
5-	-5						40	19	24.13	29.67	34.10	36.75	26.03
5-	-3						30	14	17.78	23.32	27.75	30.40	19.68
5-	-1	0.00076					20	9	11.43	16.97	21.40	24.05	13.33
4-	-2						130	64	81.28	86.82	91.25	93.90	83.18
4-	-1						120	59	74.93	80.47	84.90	87.55	76.83
4-	-0						100	49	62.23	67.77	72.20	74.85	64.13
3-	-9						80	39	49.53	55.07	59.50	62.15	51.43
3-	-8						68	33	41.91	47.45	51.88	54.53	43.81
3-	-7						60	29	36.83	42.37	46.80	49.45	38.73
3-	-6						50	24	30.48	36.02	40.45	43.10	32.38
3-	-5						40	19	24.13	29.67	34.10	36.75	26.03
3-	-3						30	14	17.78	23.32	27.75	30.40	19.68
3-	-1	0.0005					20	9	11.43	16.97	21.40	24.05	13.33
1-	-2						130	64	81.28	86.82	91.25	93.90	83.18
1-	-1						120	59	74.93	80.47	84.90	87.55	76.83
1-	-0						100	49	62.23	67.77	72.20	74.85	64.13
	-9						80	39	49.53	55.07	59.50	62.15	51.43
	-8						68	33	41.91	47.45	51.88	54.53	43.81
	-7						60	29	36.83	42.37	46.80	49.45	38.73
	-6						50	24	30.48	36.02	40.45	43.10	32.38
	-5						40	19	24.13	29.67	34.10	36.75	26.03
	-3						30	14	17.78	23.32	27.75	30.40	19.68
5175475-1		0.0002					20	9	11.43	16.97	21.40	24.05	13.33
PART NO.	Au PLATE	POS.	n	A	B	C	D	E					



LEAD FREE

GENERAL TOLERANCE
 10 ≥ : ±0.2
 30 ≥ > 10: ±0.25
 100 ≥ > 30: ±0.3
 ANGLES: ±3°

THIS DRAWING IS A CONTROLLED DOCUMENT.

DWN: Julyee Zhu 20AUG2004	Tyco Electronics AMP K.K. Kawasaki, Japan		
CHK: Steven Yao 20AUG2004			
APVD: Ikuo Enomoto 20AUG2004			
NAME: AMP CHAMP .050 CONNECTOR (B-T-B) RECEPTACLE CONNECTOR (VERTICAL WITH RETENTION LEG)			
DIMENSIONS: MM	TOLERANCES UNLESS OTHERWISE SPECIFIED:	PRODUCT SPEC: 108-60038	APPLICATION SPEC:
0 PLC ±	1 PLC ±	2 PLC ±	3 PLC ±
4 PLC ±	ANGLES ±	WEIGHT:	CUSTOMER DRAWING
MATERIAL: △	FINISH: △	SCALE: NTS	SHEET 1 OF 1